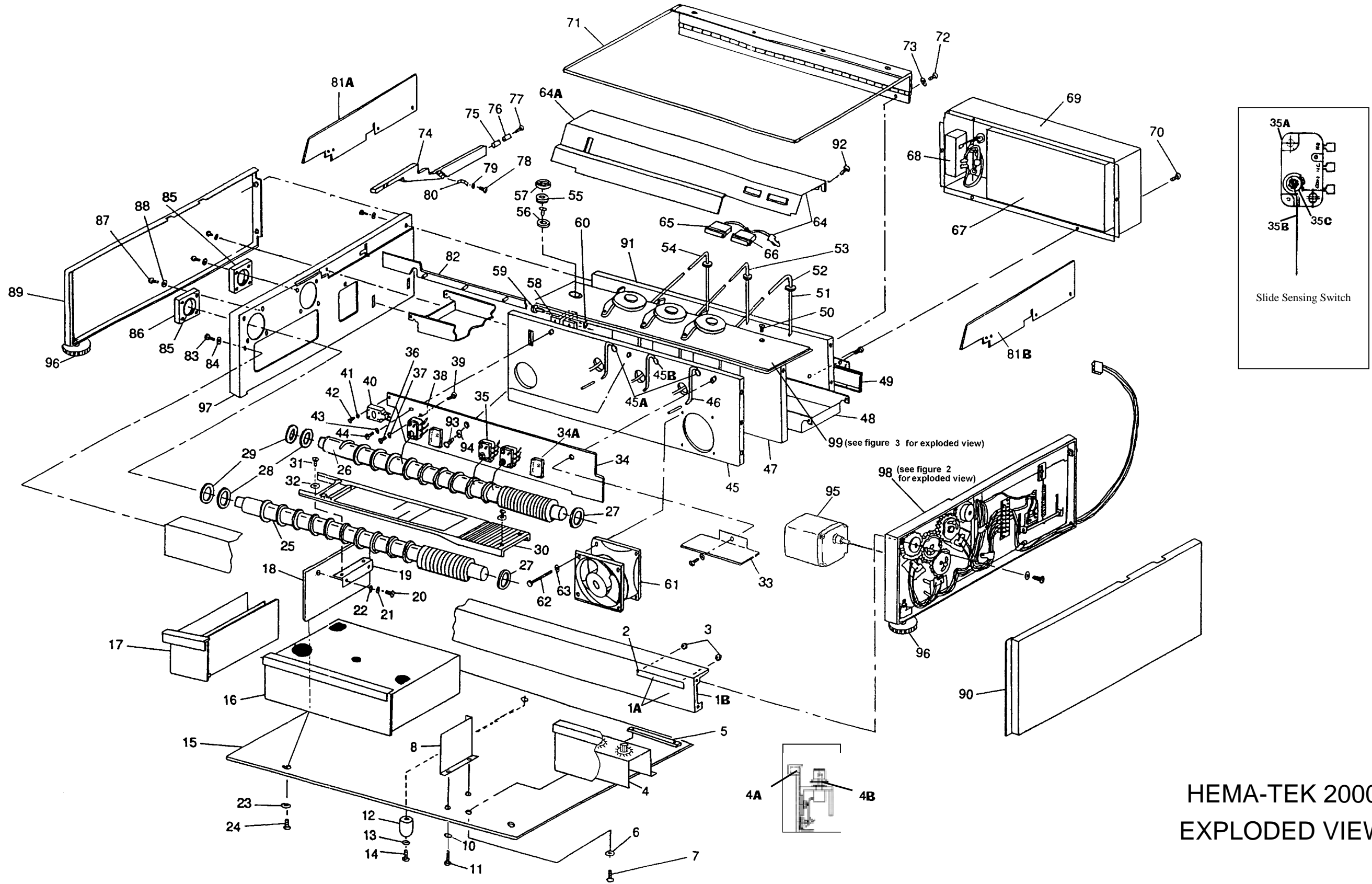


ILLUSTRATED ASSEMBLIES



HEMA-TEK 2000
EXPLODED VIEW

ILLUSTRATED ASSEMBLIES

FIGURE & INDEX #	DESCRIPTION	PART NUMBER	REQ'D
7-1-1A	FRONT TRIM / NAMEPLATE ASSEMBLY	95001884	10
7-1-1B	FRONT TRIM ONLY	50578005	1
7-1-2	NAMEPLATE	50393060	1
7-1-3	NUT, <i>SELF-THREADING, PALNUT</i>	50391027	2
7-1-4	PANEL ASSY, <i>MOTOR SPEED ADJUSTMENT</i>	95001473	1
7-1-4A	POTENTIOMETER, <i>SPEED CONTROL</i>	94000790	3
7-1-4B	HANDLE ASSEMBLY, <i>MOTOR SPEED</i>	95001472	1
7-1-5	MOUNTING BAR HINGE, <i>MOTOR SPEED ADJ.</i>	50213040	1
7-1-6	LOCKWASHER, #6, <i>INTERNAL TOOTH</i>	50331010	2
7-1-7	SCREW, #6-32 X 3/8" <i>PAN</i>	51060600	2
7-1-8&9	BRACKET, <i>WITH GUIDE</i>	50032478	1
7-1-10	LOCKWASHER, #6, <i>INTERNAL TOOTH,</i>	50331010	2
7-1-11	SCREW, <i>BRACKET, #6-32 X 7/16", PAN</i>	51060700	2
7-1-12	FOOT, <i>REAR</i>	50151017	1
7-1-13	LOCKWASHER, #18	50331011	1
7-1-14	SCREW, <i>REAR FOOT, #8-32 X 5/8"</i>	51081000	1
7-1-15	PANEL, <i>BOTTOM</i>	50451185	1
7-1-16	WASTE TANK ASSEMBLY	95001451	1
7-1-17	SLIDE DRAWER ASSEMBLY,	95002316	1
7-1-18	BAFFLE, <i>AIR</i>	50030032	1
7-1-19	BRACKET, <i>PLATEN ADJUSTMENT</i>	50032062	1

FIGURE & INDEX #	DESCRIPTION	PART NUMBER	REQ'D
7-1-20	SCREW, <i>PLATEN BRACKET, #6-32 X 3/8 CAP</i>	52060600	2
7-1-21	FLAT WASHER, #6	50661063	2
7-1-22	LOCKWASHER, #6, <i>STAINLESS, SPLIT</i>	50333002	2
7-1-23	LOCKWASHER, #6, <i>INTERNAL TOOTH</i>	50331010	2
7-1-24	SCREW, #6-32 X 3/8"	51060600	2
7-1-25	SPIRAL ASSEMBLY, <i>FRONT</i>	95000144	1
7-1-26	SPIRAL ASSEMBLY, <i>REAR</i>	95000145	1
7-1-27	SHIM, .062, <i>STAINLESS STEEL</i>	50560066	2
7-1-28	SHIM, .047, <i>STAINLESS STEEL</i>	50560065	2
7-1-29	SHIM, <i>THRUST SPACER</i>	50541308	2
7-1-30	PLATEN ASSEMBLY	95001143	1
7-1-31	SCREW, <i>PLATEN, #4-40 X 1/4" FIL.</i>	51040405	4
7-1-32	WASHER, #4, <i>FLAT</i>	50661002	4
7-1-33	SUPPORT-PROTECT, <i>INDICATOR LIGHT WIRES</i>	50543187	1
7-1-34	PCB ASSEMBLY	99400859	1
7-1-34A	IC , <i>MOTOR DRIVER, NOT SHOWN</i>	38000012	4
7-1-35	SLIDE SENSING SWITCH ASSEMBLY	94000134	3
7-1-35A	SWITCH, <i>SLIDE SENSING, SW ONLY</i>	40541185	3
7-1-35B	WIRE, <i>ACTUATOR, SLIDE SENSING</i>	50002005	3
7-1-35C	RETAINING RING, <i>SLIDE SENSING SWITCH</i>	50510008	3
7-1-36	SCREW, #4-40 X 3/4" <i>PAN</i>	51041200	6

ILLUSTRATED ASSEMBLIES

FIGURE & INDEX #	DESCRIPTION	PART NUMBER	REQ'D
7-1-37	LOCKWASHER, #4, INTERNAL TOOTH	50331009	6
7-1-38	SPACER, PCB/SENSING SWITCH	50541114	6
7-1-39	SCREW, SLIDE SENSING SW., #6-32 X 1/4" PAN	51060400	6
7-1-40	SWITCH, PRIME, MINIATURE	40545094	1
7-1-41	SCREW, #2-56 X 7/16	51020700	2
7-1-42	LOCKWASHER, #2, INTERNAL TOOTH	50331016	2
7-1-43	LOCKWASHER, #6, INTERNAL TOOTH	50331010	3
7-1-44	SCREW, #6-32 X 9/16 PAN	51060900	3
7-1-45	WALL ASSEMBLY, FRONT	95001281	1
7-1-45A	FITTING, STAIN AND RINSE TUBE	95000173	2
7-1-45B	FITTING, BUFFER TUBE	95000158	1
7-1-46	TUBING, UNDER PLATEN (F.G. #4484)	50571212	3
7-1-47	WALL ASSEMBLY, ACTUATOR	95001216	1
7-1-48	TRAY, STAIN PACK	50573012	1
7-1-49	COVER, POWER CABLE	50062236	1
7-1-50	SCREW, PLATE ASSEMBLY, #6-32 X 3/8" TRUSS	51060608	4
7-1-51	CANNULA, F.G. #4483	95000172	3
7-1-52	TUBE ASSEMBLY, STAIN	95000170	1
7-1-52	PUMP TUBE ASSEMBLY	4482	1
7-1-53	TUBE ASSEMBLY, BUFFER	95000169	1
7-1-54	TUBE ASSEMBLY, RINSE	95000168	1

FIGURE & INDEX #	DESCRIPTION	PART NUMBER	REQ'D
7-1-55	LEVEL, BUBBLE	50330003	1
7-1-56	BASE, BUBBLE LEVEL	50037082	1
7-1-57	CASE, BUBBLE LEVEL	50080602	1
7-1-58	SUPPORT ANGLE, LEFT & RIGHT	50543121	2
7-1-59	PIN, ACTUATOR	50452048	1
7-1-60	RETAINER RING, ACTUATOR BAR, 3/16" SHAFT	50510011	1
7-1-61	FAN ASSEMBLY	94000786	1
7-1-62	SCREW, FAN, #6-32 X 1 3/4"	51062800	4
7-1-63	LOCKWASHER, FAN, #6, INTERNAL TOOTH	50331010	4
7-1-64	SWITCH COVER ASSEMBLY, W/LIGHTS, FRONT	95001162	1
7-1-64A	SWITCH COVER, WO/LIGHTS, FRONT	50578004	1
7-1-65	INDICATOR LIGHT ASSEMBLY, "LOW STAIN"	94000788	1
7-1-66	INDICATOR LIGHT ASSEMBLY, "POWER"	94000787	1
7-1-67	POWER SUPPLY, SWITCHING	40452015	1
7-1-68	POWER ENTRY MODULE, ASSEMBLY	94000785	1
7-1-69	COVER, POWER SUPPLY	50062234	1
7-1-70	SCREW, #4-40 X 1/4 PAN	51040400	6
7-1-71	COVER AND HINGE ASSEMBLY	95001154	1
7-1-72	SCREW, LID HINGE, #6-32 X 1/4" TRUSS	51060408	5
7-1-73	LOCKWASHER, #6, INTERNAL TOOTH	50331010	5
7-1-74	LEVER, ACTUATOR	50338009	1

ILLUSTRATED ASSEMBLIES

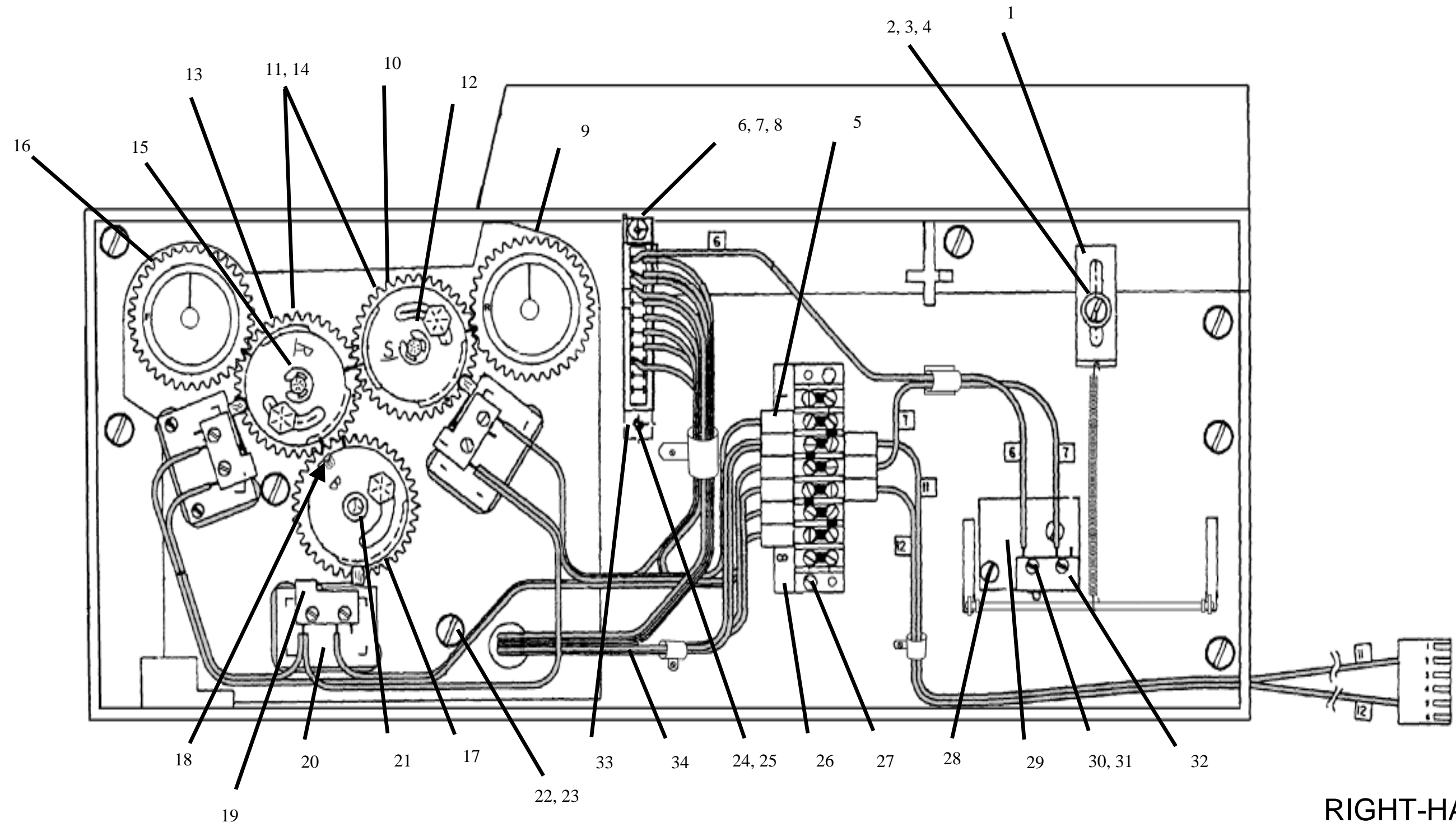
FIGURE & INDEX #	DESCRIPTION	PART NUMBER	REQ'D
7-1-75	ROLLER ACTUATOR, <i>INNER</i>	50510051	1
7-1-76	ROLLER ACTUATOR, <i>OUTER</i>	50510050	1
7-1-77	SCREW, #6-32 X 1/2"	51060805	1
7-1-78	SCREW, #2-56 X 3/16"	51020300	1
7-1-79	LOCKWASHER, #2, <i>INTERNAL TOOTH</i>	50331016	1
7-1-80	TAB, <i>SWITCH ACTUATOR</i>	50570011	1
7-1-81A	PANEL, <i>UPPER END-LH</i>	50451158	1
7-1-81B	PANEL, <i>UPPER END-RH</i>	50451160	1
7-1-82	BAR ASSEMBLY, <i>ACTUATOR</i>	95001214	1
7-1-83	SCREW, <i>FRONT TRIM, #6-32 X 3/8" TRUSS</i>	51060608	4
7-1-84	LOCKWASHER, #6, <i>INTERNAL TOOTH</i>	50331010	4
7-1-85	BEARING BLOCK ASSEMBLY	95000165	2
7-1-86	BEARING, <i>SPIRAL</i>	50044004	2
7-1-87	SCREW, #6-32 X 9/16 <i>PAN</i>	51060900	8
7-1-88	LOCKWASHER, #6 <i>INTERNAL</i>	50331010	8
7-1-89, 90	PANEL, <i>COVER ONLY, RIGHT & LEFT</i>	50451162	2
7-1-91	WALL ASSEMBLY, <i>BACK</i>	95001217	1
7-1-92	SCREW-KNURLED, <i>SWITCH COVER</i>	50550021	2
7-1-93	SCREW, #10-32 X 3 3/4"	50550084	1
7-1-94	LOCKWASHER, #10	50333033	1
7-1-95	MOTOR, <i>DRIVE, 250:1 RATIO</i>	50361070	1

FIGURE & INDEX #	DESCRIPTION	PART NUMBER	REQ'D
7-1-96	FOOT, <i>FRONT, ADJUSTABLE</i>	95000756	2
7-1-97	PANEL ASSEMBLY, <i>LEFT HAND</i>	95001212	1
7-1-98	RIGHT HAND PANEL, <i>ASSEMBLY</i>	95001158	1
7-1-99	PUMP AND PLATE ASSEMBLY	95001149	1

**RIGHT-HAND
SIDE PANEL
EXPLODED VIEW**



ILLUSTRATED ASSEMBLIES



RIGHT-HAND
SIDE PANEL
FIGURE 2

ILLUSTRATED ASSEMBLIES

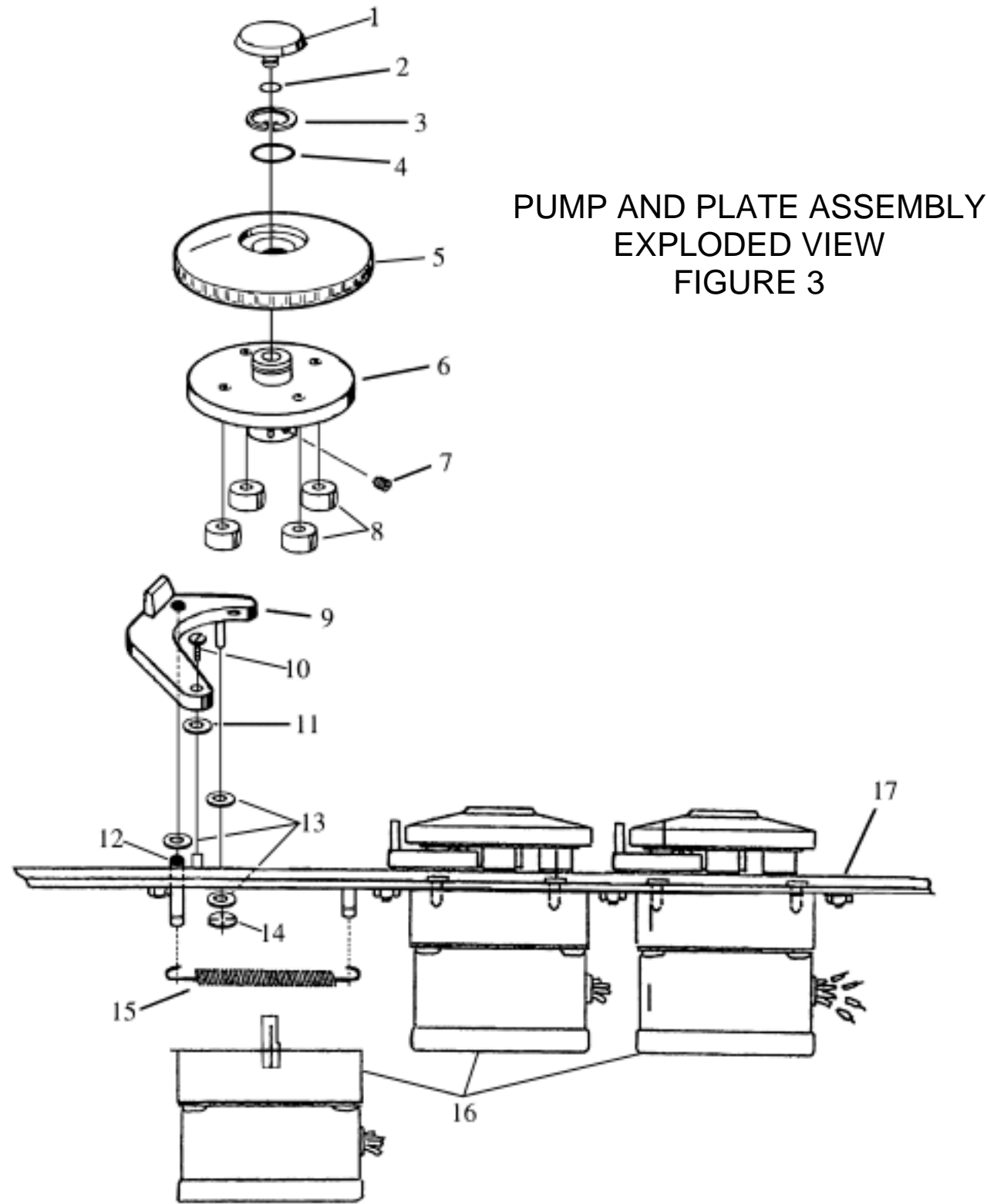
FIGURE & INDEX #	DESCRIPTION	PART NUMBER	REQ'D
7-2-1	BRACKET, TRAY SPRING	50032061	1
7-2-2	SCREW, #6-32 X 3/8,, PAN	51060600	1
7-2-3	LOCKWASHER, #6, INTERNAL TOOTH	50331010	1
7-2-4	WASHER, FLAT #6, BRASS	50661019	1
7-2-5	TERMINAL, SPADE, #2	40062021	
7-2-6	SCREW, #4-40 X 5/8 PAN	51041000	1
7-2-7	LOCKWASHER, #4, INTERNAL TOOTH	50331009	2
7-2-8	NUT, #4-40, HEX	50391047	1
7-2-9	GEAR, REAR SPIRAL	50182010	1
7-2-10	GEAR ASSEMBLY, STAIN	95000155	1
7-2-11,14	WASHER, RINSE/STAIN GEAR, FLAT ,# 10, BRASS	50661020	2
7-2-12	RING, RETAINING	50510025	1
7-2-13	GEAR ASSEMBLY, RINSE	95000156	1
7-2-15	RING, RETAINING	50510025	1
7-2-16	GEAR, FRONT SPIRAL	50182011	1
7-2-17	GEAR ASSEMBLY, BUFFER-DRIVE	95000947	1
7-2-18	SET SCREW, BUFFER GEAR	53060801	1
7-2-19	SWITCH, CAM	40541126	3
7-2-20	SWITCH, ADAPTER PLATE	50455191	3
7-2-21	BUSHING, SHAFT	50041015	1

FIGURE & INDEX #	DESCRIPTION	PART NUMBER	REQ'D
7-2-22	SCREW, DRIVE MOTOR, #8-32 X 7/16 PAN	51080700	2
7-2-23	LOCKWASHER, #8, EXTERNAL TOOTH	50331004	2
7-2-24	SCREW, #4-40 X 3/8	51040600	1
7-2-25	LOCKWASHER, #4, INTERNAL TOOTH	50331009	2
7-2-26	BLOCK, TERMINAL (8 POS)	40360001	1
7-2-27	SCREW, #4-40 X 3/8" SOCKET HEAD	52040600	2
7-2-28	SCREW, #4-40 X 1/4, ALL SWITCH PLATES	51040401	8
7-2-29	SWITCH, ADAPTER PLATE	50455348	3
7-2-30	SCREW, #2-56 X 3/16	51020600	8
7-2-31	LOCKWASHER, #2, INTERNAL TOOTH	50331016	11
7-2-32	SWITCH, "LOW STAIN"	40541031	1
7-2-33	PCB CONNECTOR	40064135	1
7-2-34	WIRING ASSEMBLY, INCLUDES SWITCHES	94000796	1

**PUMP AND PLATE ASSEMBLY
EXPLODED VIEW**



ILLUSTRATED ASSEMBLIES



PUMP AND PLATE ASSEMBLY
EXPLODED VIEW
FIGURE 3

FIGURE & INDEX #	DESCRIPTION	PART NUMBER	REQ'D
	PUMP AND PLATE ASSEMBLY	95001149	1
7-3-1	CAP, <i>PUMP</i>	50065082	3
7-3-2	"O" RING, <i>SMALL</i>	50421014	3
7-3-3	RING, <i>RETAINING</i>	50510012	3
7-3-4	"O" RING, <i>LARGE</i>	50421013	3
7-3-5	COVER, <i>PUMP</i>	50062235	3
7-3-6	ROTOR ASSEMBLY, <i>PUMP</i>	95001142	3
7-3-7	SET SCREW, <i>ROTOR #10-32 X 3/16</i>	53100301	3
7-3-8	ROLLER, <i>PUMP</i>	50510049	12
7-3-9	PUMP ARM-PIN ASSEMBLY	95001164	3
7-3-10	SCREW, <i>PUMP ARM, #6-32 X 3/8 TRUSS</i>	51060608	3
7-3-11	SPRING WASHER	50663001	3
7-3-12	PIN, <i>PUMP ARM</i>	50452117	3
7-3-13	WASHER-FLAT, <i>NYLON</i>	50664515	9
7-3-14	RETAINER RING-PUSH ON, <i>PUMP ARM</i>	50510029	3
7-3-15	SPRING, <i>PUMP PLATE</i>	50546036	3
7-3-16	MOTOR PUMP ASSEMBLY	94000782	3
7-3-17	PLATE ASSEMBLY	95001285	1

PUMP AND PLATE ASSEMBLY
95001149